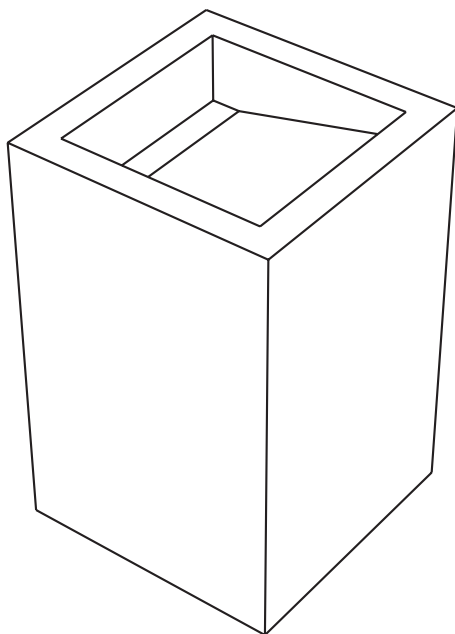


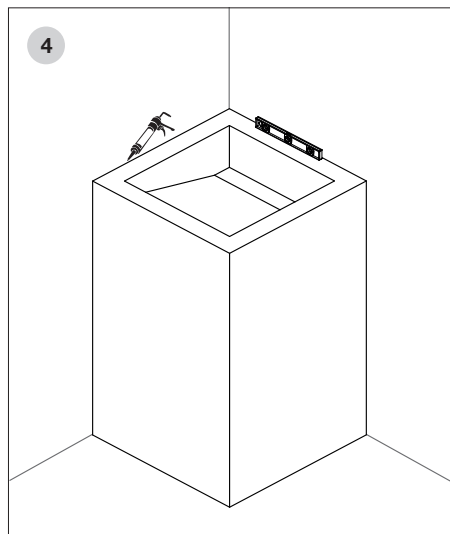
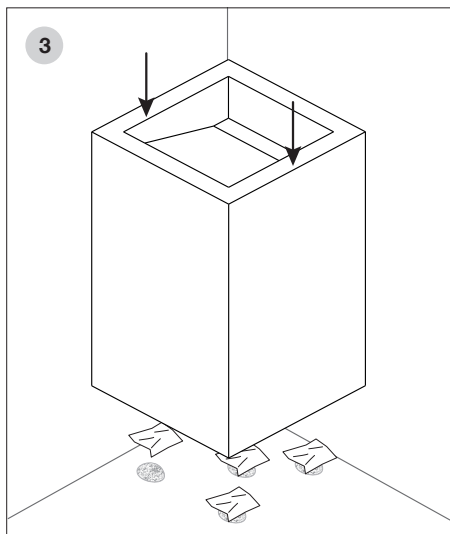
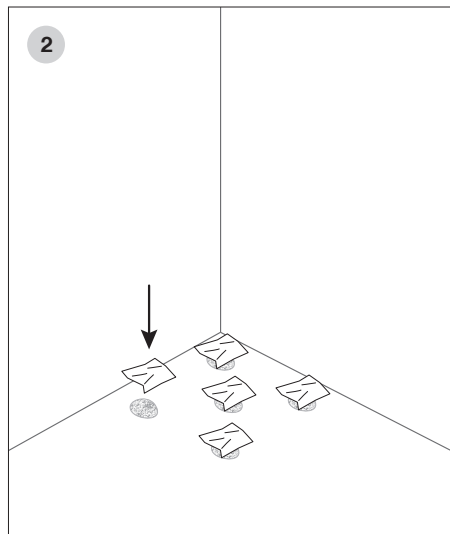
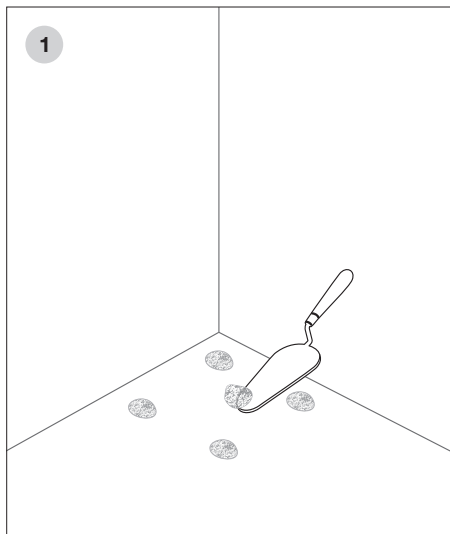
**shape** CUT  
YOUR  
STYLE

## Column washbasin 55



**FONDOVALLE**

## Assembly instructions



### Tools needed



Pencil



Tape  
measure



Spirit level



Trowel



Silicone

## RECOMMENDATIONS



Use protective gloves

The simple warnings shown below ensure correct installation of the column washbasin, ensuring the washbasin a long life and compliance with the warranty conditions.

- 1 Preparation**  
Prepare a lean mortar bed with polystyrene foam strips on all four sides and in the centre, as a support for the column washbasin.
- 2** Place a sheet of plastic or paper between the ceramic and the mortar to prevent the surfaces sticking together.
- 3 Installation**  
Position the column washbasin, checking that it is level using a spirit level (N.B. first of all, level out the surfaces where the column washbasin will be resting).
- 4** Once the mortar has set, seal everything with white mould-proof silicone or elastic mortars.

## Floor-anchored column washbasin with inspection hatch.

### Tipologia

Sloping with pop-up plug and trim base

### Mixer tap

Wall - mounted

### Included

GFB SIFON 00056742 stainless steel drain

### FAO-approved crate packaging

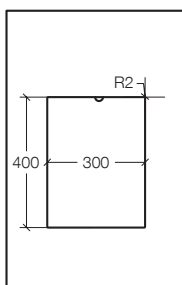
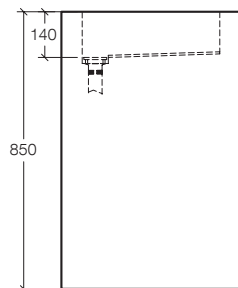
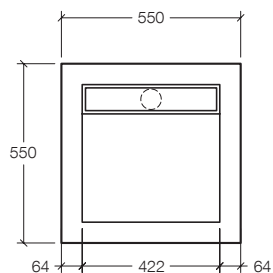
height: 800 mm

size: 700x1300 mm

weight: 110 kg

### Washbasin dimensions

---



Rear view with rear wall drainage

**FONDOVALLE**

[www.fondovalle.it](http://www.fondovalle.it) | [info@fondovalle.it](mailto:info@fondovalle.it)